



WORLDWIDE ELECTRIC MOTOR DATA SHEET

NATE3-36-56CB



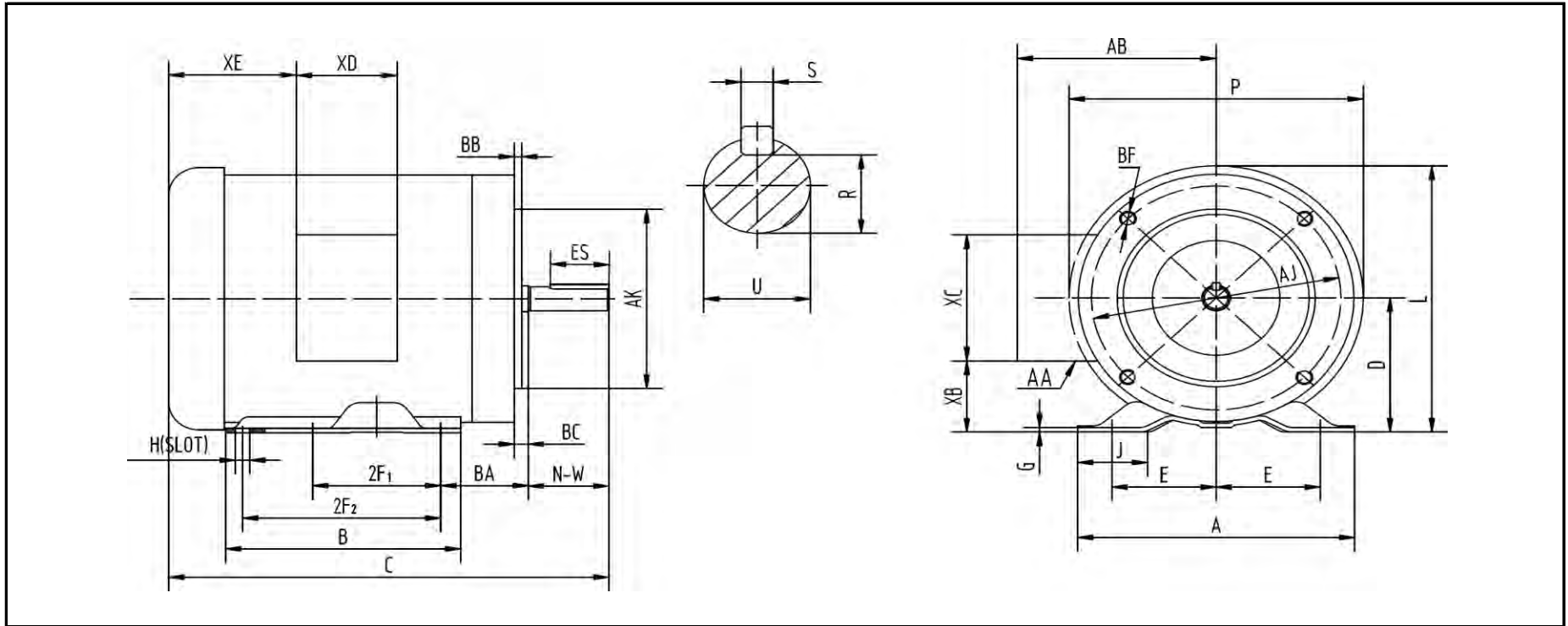
HORSEPOWER	3 (2)																								
RPM / POLES	3600 / 2 (3000 / 2)																								
VOLTAGE / PHASE	230 / 460 V / 3 (190 / 380 V / 3)																								
FRAME	56HC																								
ENCLOSURE / DEGREE OF PROTECTION	TEFC / IP43																								
FREQUENCY	60 HZ (50 HZ)																								
FULL LOAD SPEED	3500 RPM (2915 RPM)																								
SERVICE FACTOR	1.15 (1.15)																								
INSULATION CLASS	F																								
FULL LOAD AMPS; 230 / 460 (190 / 380)	7.38 / 3.69 A (6.32 / 3.16 A)																								
EFFICIENCY / POWER FACTOR	<table border="1"> <thead> <tr> <th>LOAD</th> <th>EFF.</th> <th>P.F.</th> </tr> </thead> <tbody> <tr> <td>100%</td> <td>86.5%</td> <td>0.85</td> </tr> </tbody> </table>	LOAD	EFF.	P.F.	100%	86.5%	0.85																		
LOAD	EFF.	P.F.																							
100%	86.5%	0.85																							
DUTY CYCLE	Continuous																								
MAX. AMBIENT TEMPERATURE	40° C																								
MAX. ELEVATION	3300 Ft. Above Sea Level																								
TEMPERATURE RISE (At Full Load)	80° C																								
BASE TYPE	C-Face - Removable																								
DE BEARING	6203ZZ																								
ODE BEARING	6203ZZ																								
REGREASING INT. - DE BEARING	---																								
REGREASING INT. - ODE BEARING	---																								
GREASE TYPE	Mobil Polyrex EM																								
MOUNTING	F1																								
ROTATION	Bi-Directional																								
CONNECTION DIAGRAM	230 / 460 V (190 / 380 V) - 9 Lead																								
APPROXIMATE WEIGHT	52 lbs.																								
INVERTER RATING	4:1 CT / 10:1 VT PWM Type																								
OPTIONS / ACCESSORIES	<table border="1"> <tbody> <tr> <td>Base</td> <td>NBASE56-2</td> </tr> <tr> <td>Capacitor (Start)</td> <td>---</td> </tr> <tr> <td>Capacitor (Run)</td> <td>---</td> </tr> <tr> <td>Capacitor Cover (Start)</td> <td>---</td> </tr> <tr> <td>Capacitor Cover (Run)</td> <td>---</td> </tr> <tr> <td>Centrifugal Switch</td> <td>---</td> </tr> <tr> <td>Endbell (DE)</td> <td>NDEEBELL56-3</td> </tr> <tr> <td>Endbell (ODE)</td> <td>NODEEBELL56</td> </tr> <tr> <td>Fan</td> <td>NEFAN56-1</td> </tr> <tr> <td>Fan Cover</td> <td>NFCOVER56</td> </tr> <tr> <td>Junction Box</td> <td>NJBOX56</td> </tr> <tr> <td>Stationary Switch</td> <td>---</td> </tr> </tbody> </table>	Base	NBASE56-2	Capacitor (Start)	---	Capacitor (Run)	---	Capacitor Cover (Start)	---	Capacitor Cover (Run)	---	Centrifugal Switch	---	Endbell (DE)	NDEEBELL56-3	Endbell (ODE)	NODEEBELL56	Fan	NEFAN56-1	Fan Cover	NFCOVER56	Junction Box	NJBOX56	Stationary Switch	---
Base	NBASE56-2																								
Capacitor (Start)	---																								
Capacitor (Run)	---																								
Capacitor Cover (Start)	---																								
Capacitor Cover (Run)	---																								
Centrifugal Switch	---																								
Endbell (DE)	NDEEBELL56-3																								
Endbell (ODE)	NODEEBELL56																								
Fan	NEFAN56-1																								
Fan Cover	NFCOVER56																								
Junction Box	NJBOX56																								
Stationary Switch	---																								





WORLDWIDE ELECTRIC MOTOR DRAWING

NATE3-36-56CB



DIMENSIONS - INCHES

MOUNTING					A	B	C	D	G	J	L	P	AB	BC
E	2F1	2F2	H	BA										
2.44	3	5	0.34	2.75	6.54	6.54	12.9	3.5	0.12	1.65	7.4	7.3	5.2	-0.19

KEY		KEYSET	FLANGE				SHAFT		TERMINAL BOX				
ES	S	R	AJ	AK	BB	BF	N-W	U	AA	XB	XC	XD	XE
1.41	0.188	0.517	5.875	4.5	0.16	3/8-16	1.88	0.625	3-0.88 / 2-1.109	1.65	3.7	3.2	2.15